

TEAC

SERVICE MANUAL

SL-D910

AM/FM STEREO DIGITAL RADIO WITH CD PLAYER



NOTES

- PC board shown are viewed from parts side.
- The parts with no reference number or no parts number in the exploded views are not supplied.
- As regards the resistors and capacitors, refer to the circuit diagrams contained in this manual.
- ⚠ Parts marked with this sign are safety critical components. they must be replaced with identical components - refer to the appropriate parts list and ensure exact replacement.
- Parts of [] mark can be used only with the version designated.
[UK] – [UK]; [EUR]–Europe

CONTENTS

1 SAFETY INFORMATION	2
2 SPECIFICATIONS	3
3 ADJUSTMENT AND CHECK	4
4 EXPLODED VIEW AND PARTS LIST	7
5 PC BOARDS AND PARTS LIST	19
6 WIRING DIAGRAM	29
7 INCLUDED ACCESSORIES	31

SL-D910

1 SAFETY INFORMATION

SAFETY INFORMATION

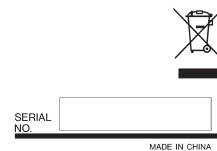
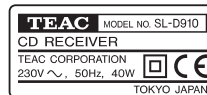
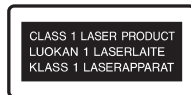
This product has been designed and manufactured according to FDA regulations "title 21, CFR, chapter 1, subchapter J, based on The Radiation Control for Health and Safety Act of 1968" and is classified as class 1 laser product. There is not hazardous invisible laser radiation during operation because invisible laser radiation emitted inside of this product is completely confined in the protective housings. The label required in this regulation is shown ①.

• **CAUTION**

USE OF CONTROLS OR ADJUSTMENT OR PERFORMANCE OF PROCEDURES OTHER THAN THOSE SPECIFIED HEREIN MAY RESULT IN HAZARDOUS RADIATION EXPOSURE.

DO NOT REMOVE THE PROTECTIVE HOUSING USING SCREWDRIVER.

IF THIS PRODUCT DEVELOPS TROUBLE, MAKE A CONTACT WITH OUR SERVICEMAN, AND DO NOT USE THE PRODUCT A TROUBLED STATE.



Optical pickup:
Type : KSM-213CDM
Manufacturer : SANY CORPORATION OF HONG KONG LIMITED
Laser output : Less than 0.5mW on the objective lens
Wavelength : 760-800nm

2 SPECIFICATIONS

TUNER Section

Frequency Range : FM : 87.50 ~ 108.0 MHz
AM : 522 to 1620 kHz

CD PLAYER Section

Frequency response : 20 Hz ~ 20 KHz (+/-1 dB)
Wow and Flutter: Unmeasurable

SPEAKER SYSTEM Section

Type : 65 mm(L&R)
80 mm(subwoofer)
Impedance : 8 ohms(L&R)
8 ohms(subwoofer)

GENERAL

Total Output Power: 15 W
Power Requirements: 230 V,50 Hz
Power Consumption: 40 W
Standby Power Consumption: 6.6W
Dimension (W x H x D): 340 x 190 x 259 mm
Weight: (net) 5.4kg

Standard Accessories:

Remote Control Unit (RC-1023) x1
Owner's Manual x 1
Warranty Card x 1

- Design and specifications are subject to change without notice.
- Illustrations may differ slightly from production models.

SL-D910

3 ADJUSTMENTS AND CHECKS

3-1 TUNER SECTION

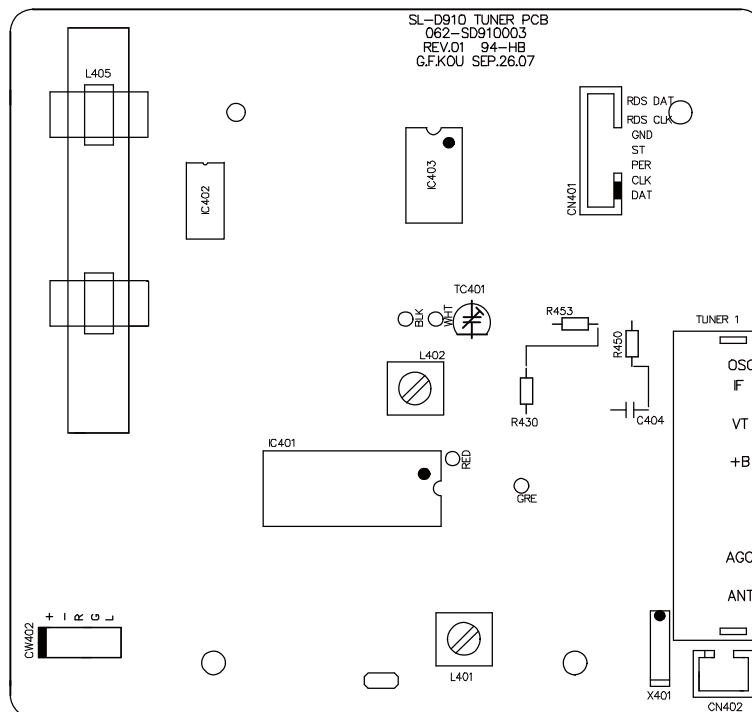
- Use a screwdriver with a plastic or ceramic grip for all adjustment.

3-1-1 AM adjustment

1. Set the function switch to the TUNER position.
2. Set the BAND switch to the AM position.
3. Connect the test loop antenna across the output of the signal generator.
4. Connect the oscilloscope to the PHONES JACK terminal.
5. Connect the digital multimeter to R430/R453 on TUNER PCB.
6. Set the signal generator as listed in the alignment chart.

3-1-2 FM adjustment

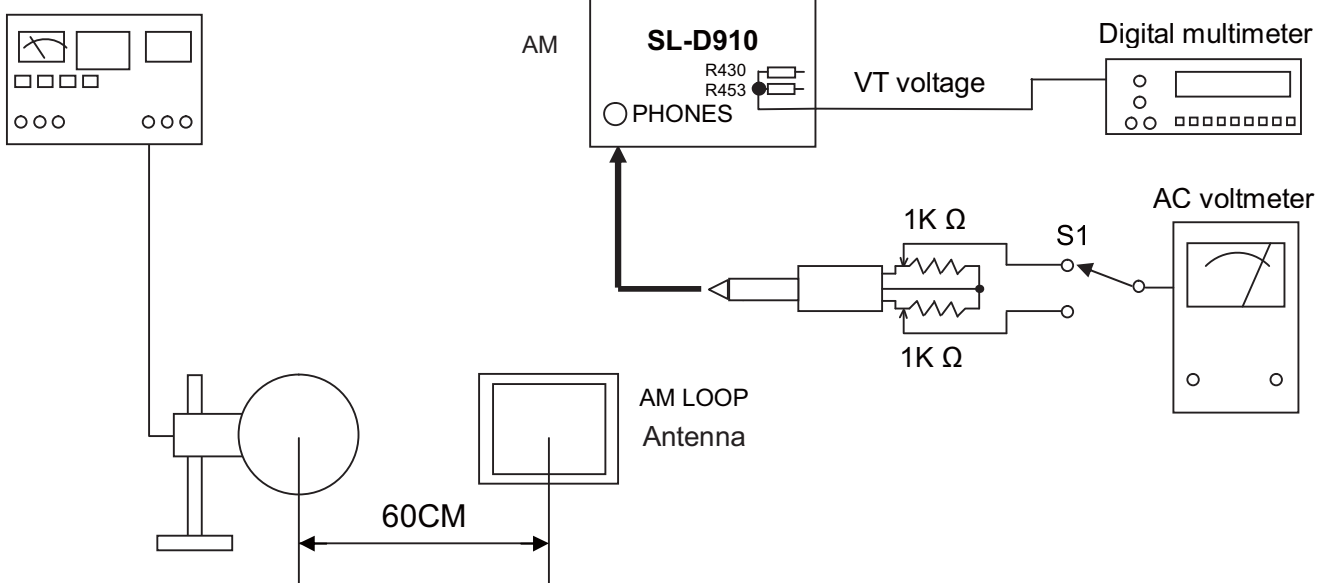
1. Set the function switch to the TUNER position.
2. Set the BAND switch to the FM position.
3. Connect the signal generator output through a 75 ohm dummy antenna to "ANT" on MAIN PCB.
4. Connect the oscilloscope to the PHONES JACK terminal.
5. Connect the digital multimeter to R450/C404 on TUNER PCB.
6. Set the signal generator as listed in the alignment chart.



3-2-1. RADIO ALIGNMENT

ITEM	SG SETTING				TUNER SETTING	ADJUSTMENTS	MEASURING POINTS. RESULT
	Audio	Modulation	Frequency	Output			
1.VOLTAGE adjustment					1620KHz	L402 AM OSC coil	VT 8.8-9.2V
					522KHz	Check	
2.IFT adjustment	1KHz	30%	450KHz	76dBuV	603KHz	L401 AM IFT coil	Maximun output level
3.ANT Coil adjustment	1KHz	30%	603KHz	76dBuV	603KHz	L405 AM ANT coil	Maximun output level
4.TC401 adjustment	1KHz	30%	1404KHz	76dBuV	1404KHz	TC401 Repeat step 3 and 4	Maximun output level

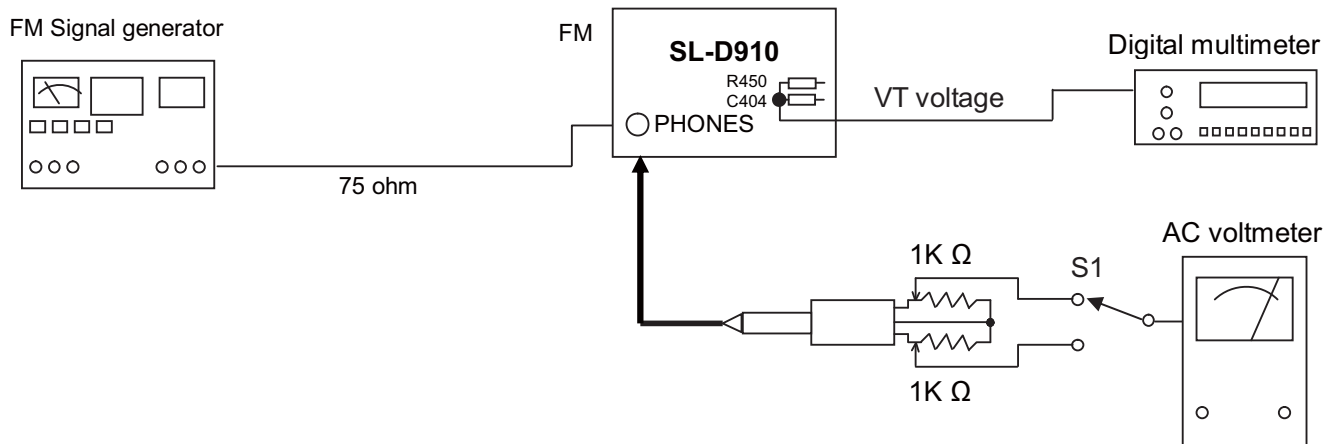
AM Signal generator



SL-D910

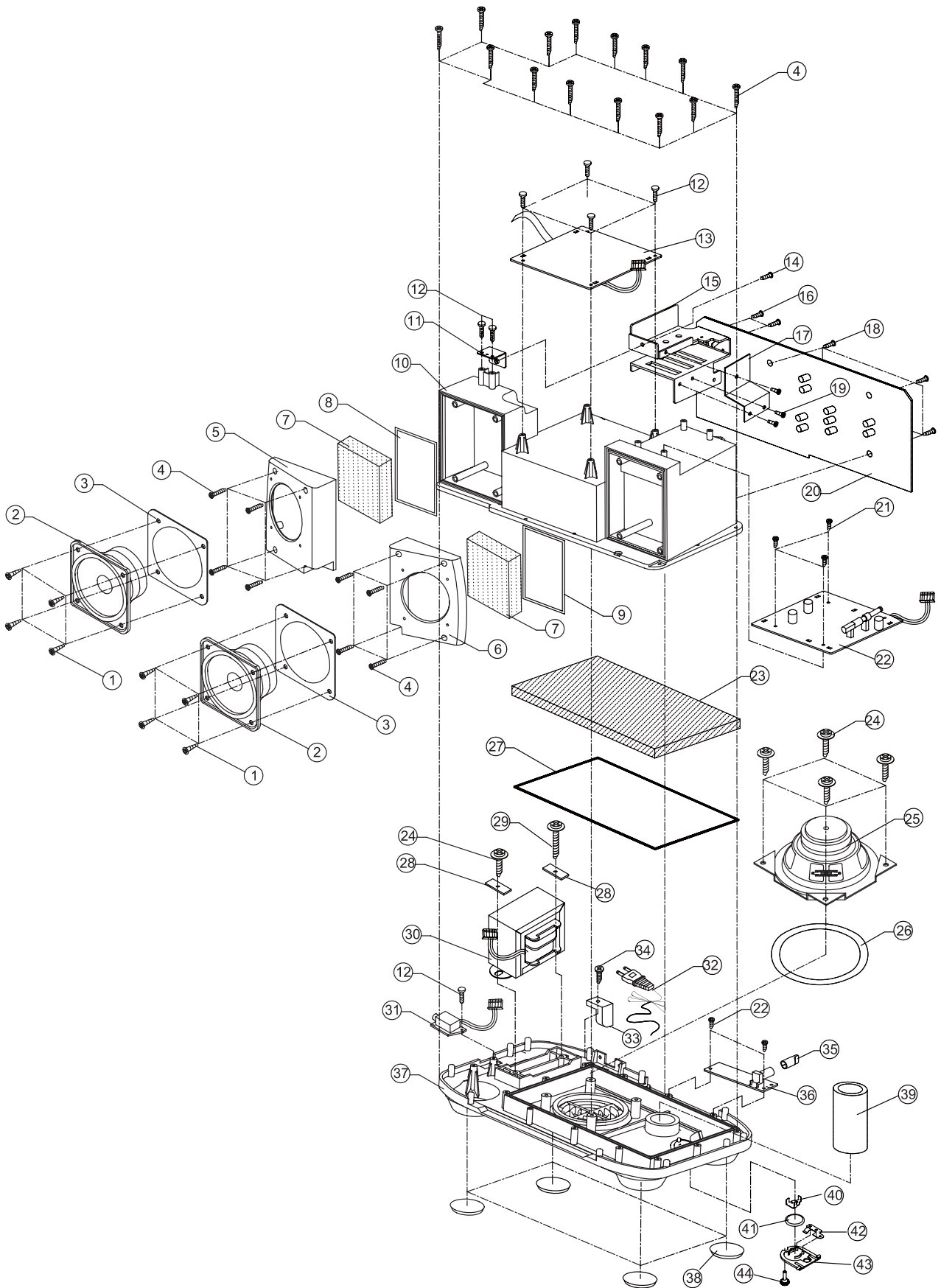
3-2-2. FM TUNER

ITEM	SG SETTING				TUNER SETTING	ADJUSTMENTS	MEASURING POINTS. RESULT
	Audio	Modulation	Frequency	Output			
1.VOLTAGE					108MHz	Check	VT 7 +/-0.5V
					87.5MHz	Check	
2.ANT Coil	1KHz	22.5kHz	90.1MHz	76dBuV	90.1MHz	Check	Maximun output level
3.adjustment	1KHz	22.5kHz	106.1MHz	76dBuV	106.1MHz	Check	Maximun output level



4 EXPLODED VIEWS AND PARTS LIST

EXPLODE VIEW-1

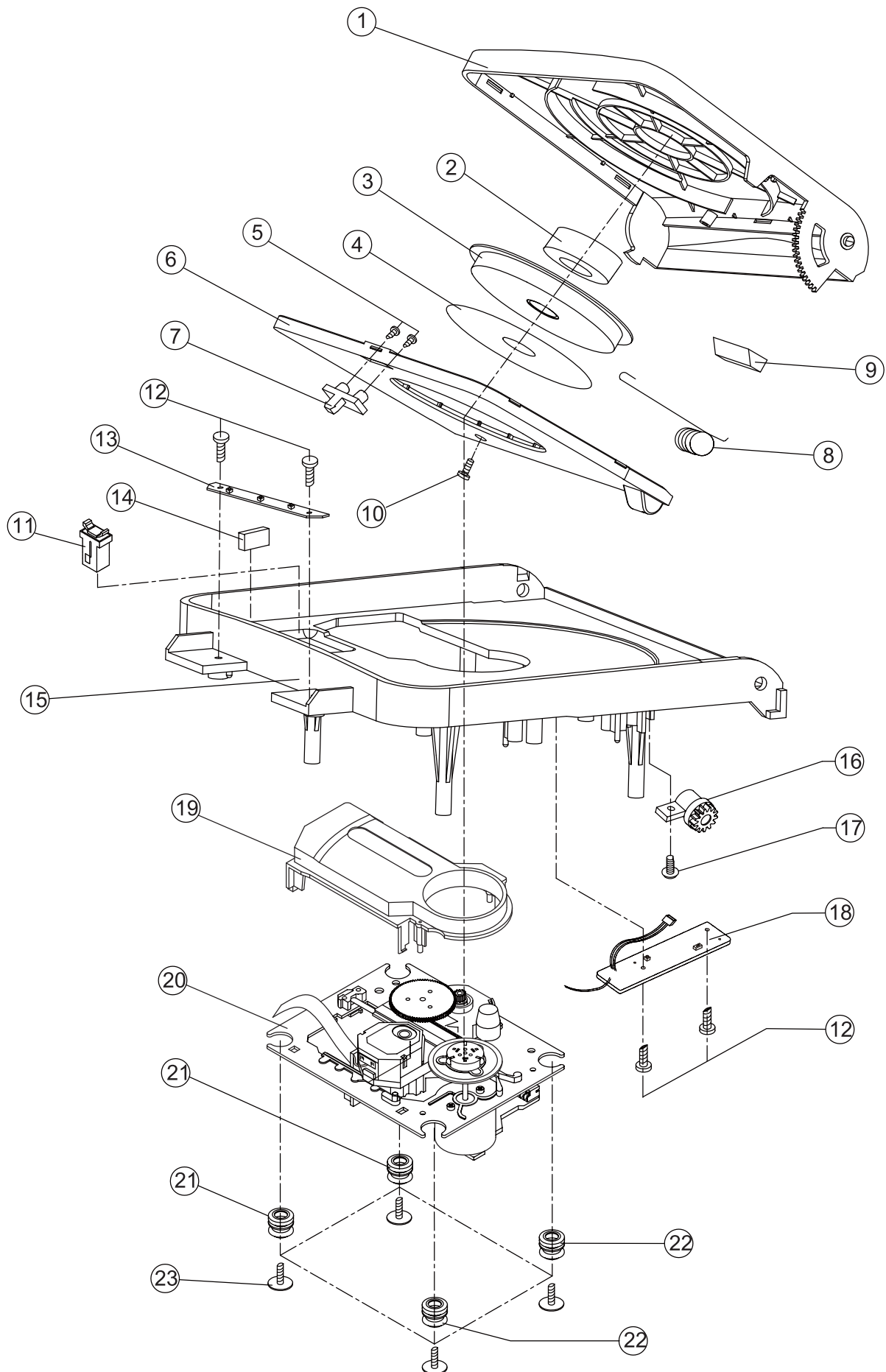


SL-D910

EXPLODED VIEW-1 PARTS LIST

REF.NO	TEAC PARTS NO.	PARTS NO.	DESCRIPTION	REMARKS
1-1		024-43010033-R	SCREW ϕ 3×10MM PWA BLACK HD	
1-2		061-0LT10800-R	SPEAKER 2" 8 OHM 15~20W	
1-3		035-SD900082-R	R/L SPEAKER EVA WASHER	
1-4		021-23014033-R	SCREW ϕ 3×14MM BT BLACK HD	
1-5		010-SD900300-R	LEFT SPEAKER COVER	
1-6		010-SD900400-R	RIGHT SPEAKER COVER	
1-7		099-39SLD902-R	ABSORB COTTON C (SIZE:80×100×T20MM)	
1-8		035-SLD90052-R	EVA SHEET(D)	
1-9		035-SLD90072-R	EVA SHEET(F)	
1-10		010-SD900000-R	SPEAKER BOX	
1-11		011-SD900200-R	HEAT SINK BKT	
1-12		021-13008032-R	SCREW ϕ 3×8MM PT ZMC HD	
1-13		100-D9101030-R	CD PCB ASS'Y	
1-14		022-23008033-R	SCREW ϕ 3×8MM BM BLACK HD	
1-15		018-SLD90000-R	POWER IC HEAT SINK	
1-16		024-23010032-R	SCREW ϕ 3×10MM BA ZMC HD	
1-17		015-SD900100-R	ADIABATIC SHEET	
1-18		021-13010032-R	SCREW ϕ 3×10MM PT ZMC HD	
1-19		024-23008032-R	SCREW ϕ 3×8MM BA ZMC HD	
1-20		100-D9101010-R	MAIN PCB ASS'Y	
1-21		021-13006032-R	SCREW ϕ 3×6MM PT ZMC HD	
1-22		100-D9101040-R	TUNER PCB ASS'Y	
1-23		099-39SLD901-R	ABSORB COTTON A (SIZE:120×135×T20MM)	
1-24		021-44010032-R	SCREW ϕ 4×10MM PWT ZMC HD	
1-25		061-0LT10801-R	SPEAKER 3" 8 OHM 15~20W	
1-26		035-SLD90002-R	WOOFER SPEAKER EVA WASHER	
1-27		035-SLD90022-R	EVA SHEET(A)	
1-28		011-SD900401-R	TRANSFORMER BKT.	
1-29		021-44018032-R	SCREW ϕ 4×18MM PWT ZMC HD	
1-30		084-SD900100-R	TRANSFORMER "VDE"230V/50HZ	
		084-SD900200-R	TRANSFORMER "UL"120V/60HZ	
		084-SD900300-R	TRANSFORMER "PES"110V/60HZ	
1-31		100-90MU1070-R	HEAD PHONE JACK PCB ASS'Y	
1-32		087-00000001-R	AC CORD "VDE" L=2000MM BLACK	
		087-18000009-R	AC CORD "EK/KTL"	
		087-00000004-R	AC CORD "BSI" L=2000MM BLACK	
		087-00000003-R	AC CORD "PSE" L=2000MM BLACK	
		087-00000030-R	AC CORD "VDE" L=2000MM BLACK "CCC"MARK	
		087-00000017-R	AC CORD "UL" L=2000MM BLACK	
1-33		010-SD900600-R	CORD STOP	
1-34		021-44012032-R	SCREW ϕ 4×12MM PWT ZMC HD	
1-35		004-SD900700-R	BASS KNOB	
1-36		100-90MU1050-R	BBS VR PCB ASS'Y	
1-37		001-910R0200-R	BOTTOM PANEL(RED)	
		001-910W0200-R	BOTTOM PANEL(WHITE)	
		001-910B0200-R	BOTTOM PANEL(BLACK)	
		001-910S0200-R	BOTTOM PANEL(SILVER)	
		001-910M0200-R	BOTTOM PANEL(MOSS GREEN)	
		001-910N0200-R	BOTTOM PANEL(NAVY BLUE)	
1-38		037-SD900000-R	RUBBER FOOT	
1-39		044-SID90040-R	SPEAKER PAPER TUBE(BOTTOM)	
1-40		031-D9100210-R	MEMORY BATTERY SPRING(-VE)	
1-41		099-47KL300i-R	CR2032 DC:3V	
1-42		031-D9100110-R	MEMORY BATTERY SPRING(+VE)	
1-43		010-910R0200-R	MEMORY BATTERY COVER (RED)	
		010-910W0200-R	MEMORY BATTERY COVER (WHITE)	
		010-910B0200-R	MEMORY BATTERY COVER (BLACK)	
		010-910S0200-R	MEMORY BATTERY COVER (SILVER)	
		010-910M0200-R	MEMORY BATTERY COVER (MOSS GREEN)	
		010-910N0200-R	MEMORY BATTERY COVER (NAVY BLUE)	
1-44		025-000R1001-R	SPECIAL SCREW ϕ 3×10MM NI HD	

EXPLODE VIEW-2

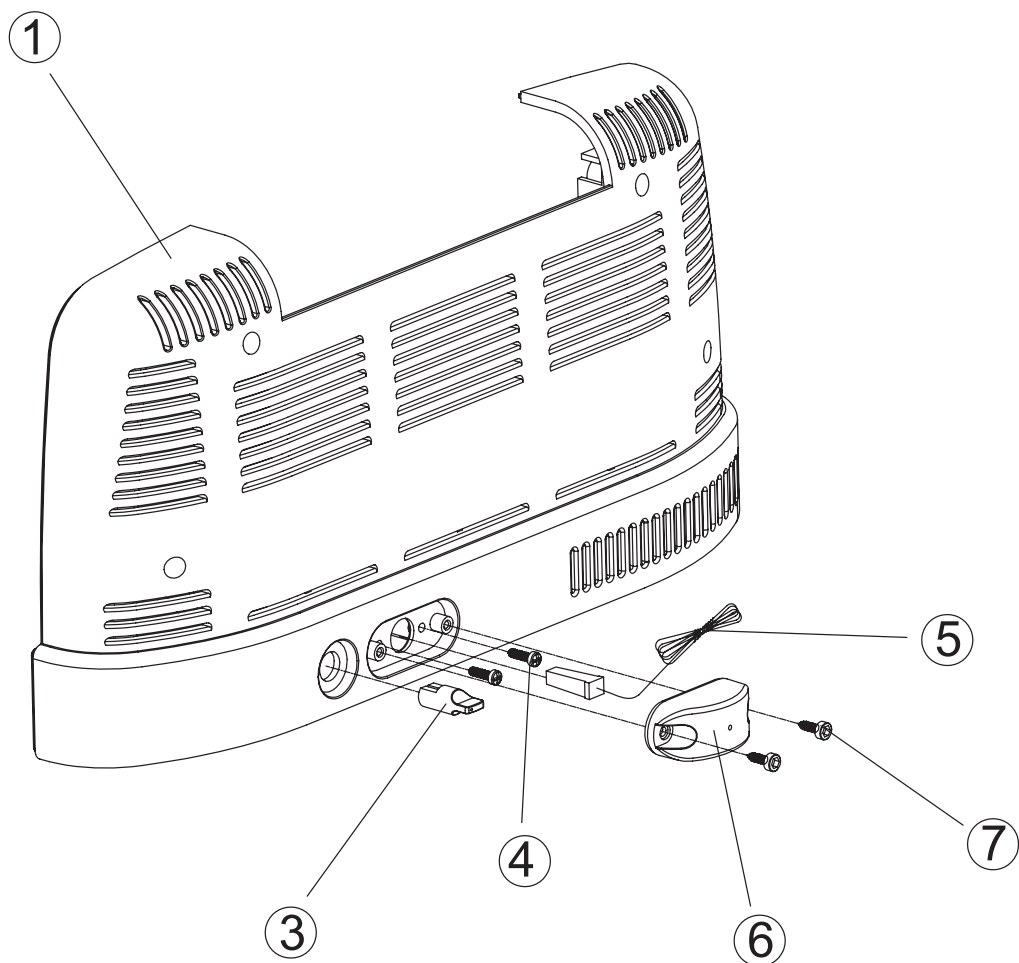
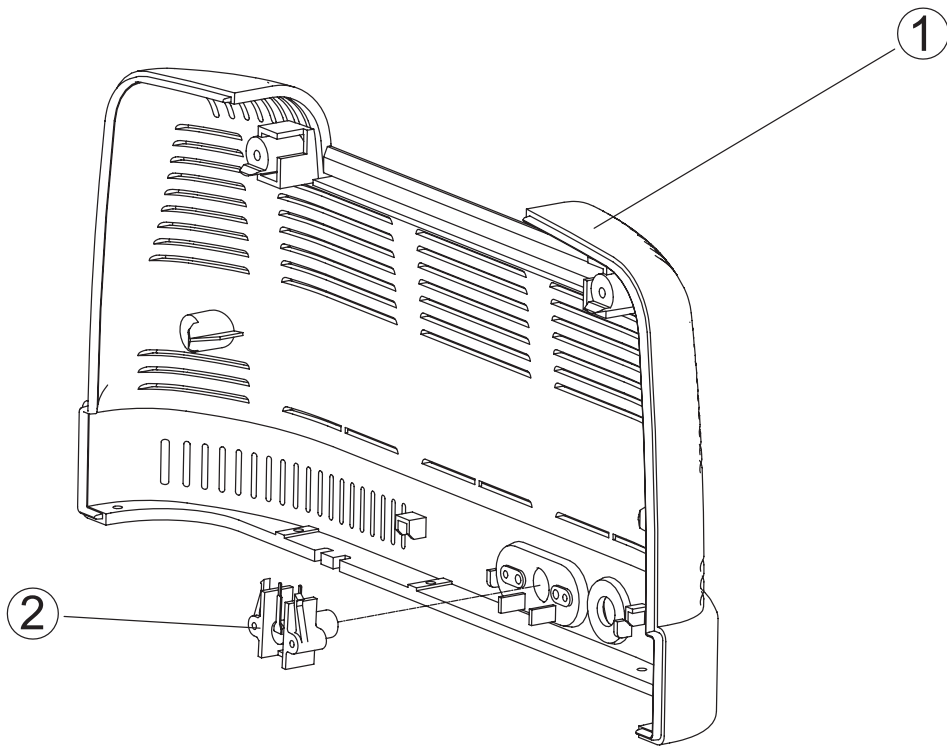


SL-D910

EXPLODED VIEW-2 PARTS LIST

REF.NO	TEAC PARTS NO.	PARTS NO.	DESCRIPTION	REMARKS
2-1		006-90MU0005-R	CD DOOR (RED)	
		006-90MU0004-R	CD DOOR (WHITE)	
		006-90MU0002-R	CD DOOR (SILVER)	
		006-90MU0003-R	CD DOOR (BLACK)	
		006-90MU0000-R	CD DOOR (MOSS GREEN)	
		006-90MU0001-R	CD DOOR (NAVY BLUE)	
2-2		052-SLD90000-R	CD MIGNET	
2-3		010-SD900500-R	CD CLAMPER	
2-4		051-SLD90005-R	CD CLAMPER HIMERON(A)	
2-5		021-42005032-R	SCREW ϕ 2×5MM PWT ZMC HD	
2-6		006-SD900100-R	CD DOOR COVER (RED)	
		006-90MU0102-R	CD DOOR COVER (WHITE)	
		006-SD900103-R	CD DOOR COVER (BLACK)	
		006-D90S0100-R	CD DOOR COVER (SILVER)	
		006-90MU0100-R	CD DOOR COVER (MOSS GREEN)	
		006-90MU0101-R	CD DOOR COVER (NAVY BLUE)	
2-7		010-SD901100-R	CD DOOR CATCH (RED)	
		010-90MU1102-R	CD DOOR CATCH (WHITE)	
		010-SD901103-R	CD DOOR CATCH (BLACK)	
		010-D90S0100-R	CD DOOR CATCH (SILVER)	
		010-90MU1100-R	CD DOOR CATCH (MOSS GREEN)	
		010-90MU1101-R	CD DOOR CATCH (NAVY BLUE)	
2-8		031-SD900010-R	CD DOOR SPRING	
2-9		037-SD900300-R	CD SPRING RUBBER PAD	
2-10		024-93008031-R	SCREW ϕ 3×10MM CA NI HD	
		024-93010033-R	SCREW ϕ 3×10MM CA BLACK HD	
2-11		010-SD901200-R	CD DOOR LOCK FIQ61BA-ZO-J046-00000	
2-12		021-13006032-R	SCREW ϕ 3×6MM PT ZMC HD	
2-13		100-90MU1080-R	SNOOZE PCB ASS'Y	
2-14		035-SLD90102-R	CD TRAY EVA:15×4×T9.5MM	
2-15		002-SD900000-R	CD BASE	
2-16		008-OGP18000-R	GEAR DUMPER ASS'Y	
2-17		021-43008053-R	SCREW ϕ 3×8 MM PWB BLK HD	
2-18		100-90MU1060-R	CD SWITCH PCB ASS'Y	
2-19		009-00800001-R	CD PICK UP COVER	
2-20		039-A2000132-R	CD PICK UP MECHA(CMS-B35VG6U)	
		039-SD901210-R	CD PICK UP MECHA(KSM-213CDM)	
2-21		037-0LT10100-R	CD RUBBER CUSHION BLACK	
2-22		037-0LT10200-R	CD RUBBER CUSHION PINK	
2-23		021-43010032-R	SCREW ϕ 3×10MM PWT ZMC HD	

EXPLODE VIEW-3

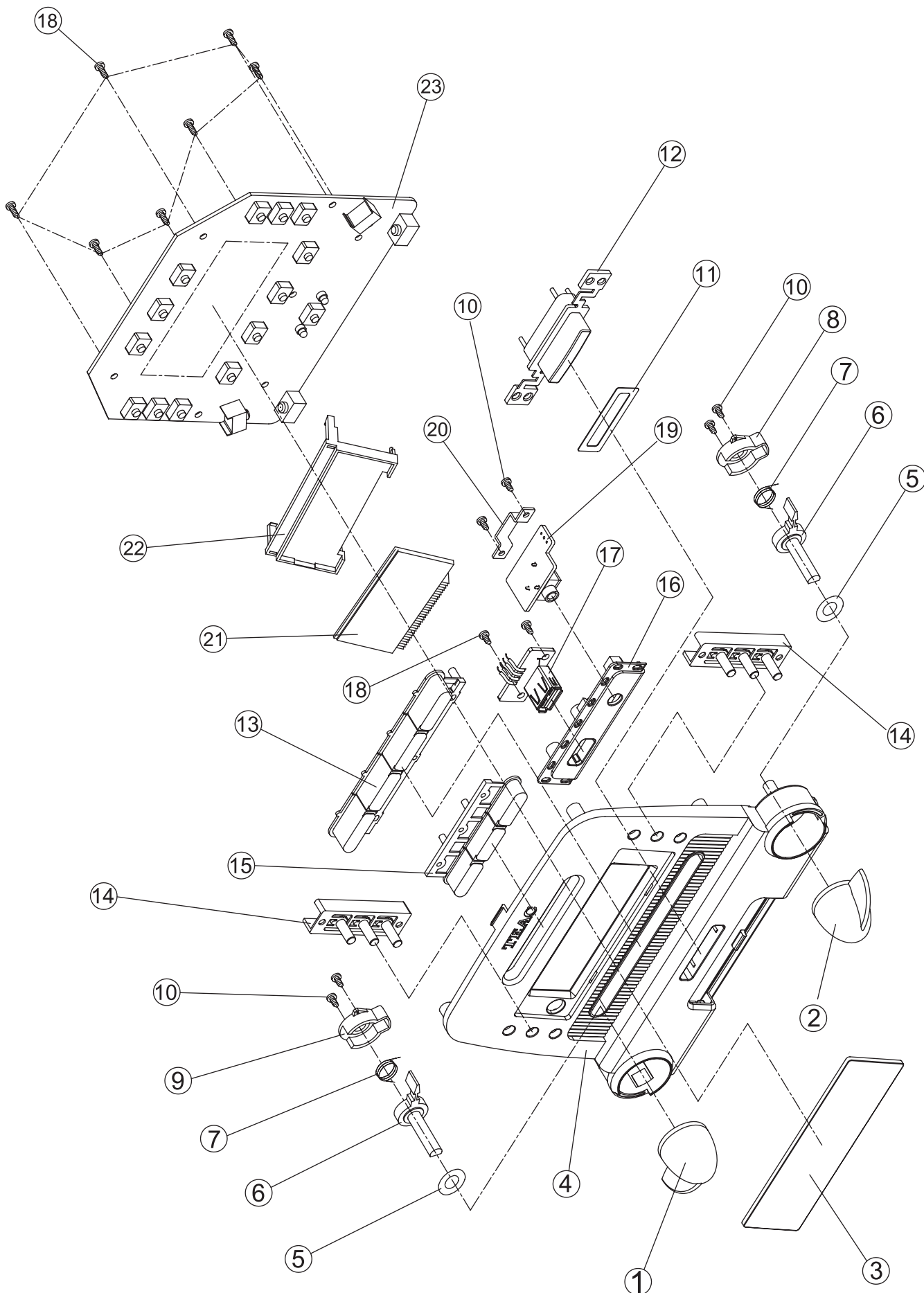


SL-D910

EXPLODED VIEW-3 PARTS LIST

REF.NO	TEAC PARTS NO.	PARTS NO.	DESCRIPTION	REMARKS
3-1		001-910EYR00-R	BACK PANEL (RED) EUR-Y/UK-Y	
		001-910ENR00-R	BACK PANEL (RED) EUR-N/HK-N/CCC-N	
		001-910EYW00-R	BACK PANEL (WHITE) EUR-Y/UK-Y	
		001-910ENW00-R	BACK PANEL (WHITE) EUR-N/HK-N/CCC-N	
		001-910EYB00-R	BACK PANEL (BLACK) EUR-Y/UK-Y	
		001-910ENB00-R	BACK PANEL (BLACK) EUR-N/HK-N/CCC-N	
		001-910EYS00-R	BACK PANEL (SILVER) EUR-Y/UK-Y	
		001-910ENS00-R	BACK PANEL (SILVER) EUR-N/HK-N/CCC-N	
		001-910EYM00-R	BACK PANEL (MOSS GREEN) EUR-Y/UK-Y	
		001-910ENM00-R	BACK PANEL (MOSS GREEN) EUR-N/HK-N/CCC-N	
		001-910EYN00-R	BACK PANEL (NAVY BLUE) EUR-Y/UK-Y	
		001-910ENN00-R	BACK PANEL (NAVY BLUE) EUR-N/HK-N/CCC-N	
		001-910KNR00-R	BACK PANEL (RED) KON-N	
		001-910KNW00-R	BACK PANEL (WHITE) KON-N	
		001-910KNB00-R	BACK PANEL (BLACK) KON-N	
		001-910KNS00-R	BACK PANEL (SILVER) KON-N	
		001-910KNM00-R	BACK PANEL (MOSS GREEN) KON-N	
		001-910KNN00-R	BACK PANEL (NAVY BLUE) KON-N	
		001-910JYR00-R	BACK PANEL (RED) JT-Y	
		001-910JYW00-R	BACK PANEL (WHITE) JT-Y	
		001-910JYB00-R	BACK PANEL (BLACK) JT-Y	
		001-910JYS00-R	BACK PANEL (SILVER) JT-Y	
		001-910JYM00-R	BACK PANEL (MOSS GREEN) JT-Y	
		001-910JYN00-R	BACK PANEL (NAVY BLUE) JT-Y	
		001-910TYR00-R	BACK PANEL (RED) TW-Y	
		001-910TYW00-R	BACK PANEL (WHITE) TW-Y	
		001-910TYB00-R	BACK PANEL (BLACK) TW-Y	
		001-910TYS00-R	BACK PANEL (SILVER) TW-Y	
		001-910TYM00-R	BACK PANEL (MOSS GREEN) TW-Y	
		001-910TYN00-R	BACK PANEL (NAVY BLUE) TW-Y	
3-2		086-9F290011-R	FM ANT JACK TR-0001	
3-3		004-SD900700-R	BASS KNOB	
3-4		024-23010032-R	SCREW ϕ 3×10MM BA ZMC HD	
3-5		089-00000021-R	UL 1007 26AWG/PIN L=1500MM BLACK	
3-6		010-910R0100-R	FM ANT COVER (RED)	
		010-910W0100-R	FM ANT COVER (WHITE)	
		010-910B0100-R	FM ANT COVER (BLACK)	
		010-910S0100-R	FM ANT COVER (SILVER)	
		010-910M0100-R	FM ANT COVER (MOSS GREEN)	
		010-910N0100-R	FM ANT COVER (NAVY BLUE)	
3-7		025-SD910011-R	SPECIAL ϕ 3×10MM ZMC HD	

EXPLODE VIEW-4

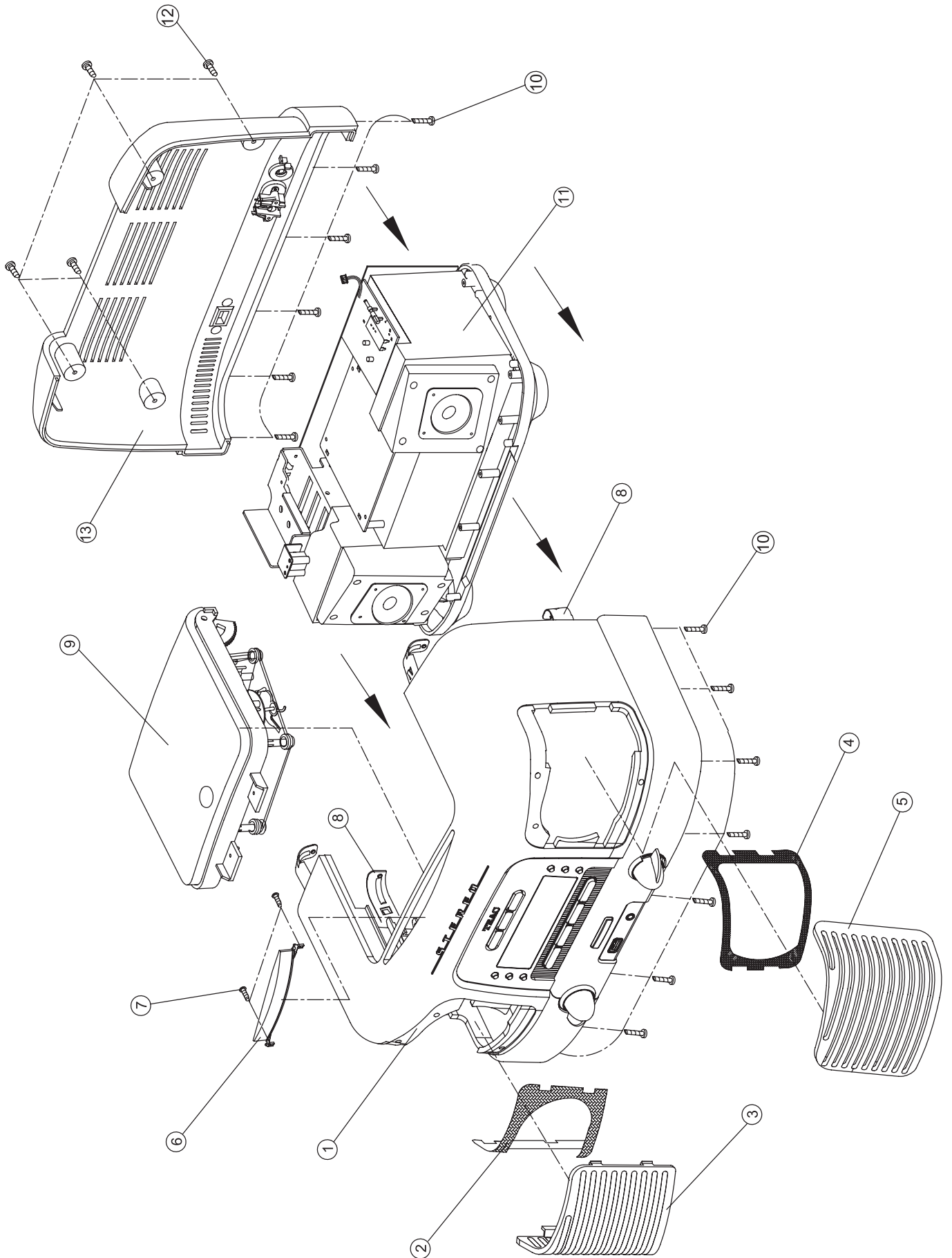


SL-D910

EXPLODED VIEW-4 PARTS LIST

REF.NO	TEAC PARTS NO.	PARTS NO.	DESCRIPTION	REMARKS
4-1		004-SD900100-R	VOLUME KNOB	
4-2		004-SD900200-R	TUNER KNOB	
4-3		007-SD900100-R	LCD DISPLAY WINDOW	
4-4		001-D9100300-R	CONTROL PANEL	
4-5		012-02120612-R	PVC WASHER ϕ 12 \times ϕ 6.1 \times T0.2MM	
4-6		009-28000000-R	TUNER/VOLUME SW. LEVER	
4-7		031-28000010-R	VOLUME SPRING	
4-8		010-SD900800-R	TUNER SPRING COVER	
4-9		010-SD900700-R	VOLUME SPRING COVER	
4-10		023-12306032-R	SCREW ϕ 2.3 \times 6MM PB ZMC HD	
4-11		015-90MU0200-R	POWER KNOB PVC SHEET	
4-12		004-90MU0100-R	POWER KNOB	
4-13		004-SD900500-R	CD CONTROL KNOB	
4-14		004-SD900600-R	FUNCTION ROUND KNOB	
4-15		004-90MU0200-R	FUNCTION KNOB	
4-16		010-90MU0100-R	USB JACK PANEL	
4-17		100-90MU1110-R	USB JACK PCB ASS'Y	
4-18		021-13008032-R	SCREW ϕ 3 \times 8MM PT ZMC HD	
4-19		010-90MU1100-R	AUX JACK PCB ASS'Y	
4-20		011-90MU0000-R	AUX JACK BKT	
4-21		080-SD9100021-R	LCD DISPLAY SIZE (SIZE:76 \times 24MM)	
4-22		010-SD901300-R	LCD BACK LIGHT HOLDER	
4-23		100-D9101020-R	CONTROL PCB ASS'Y	

EXPLODE VIEW-5

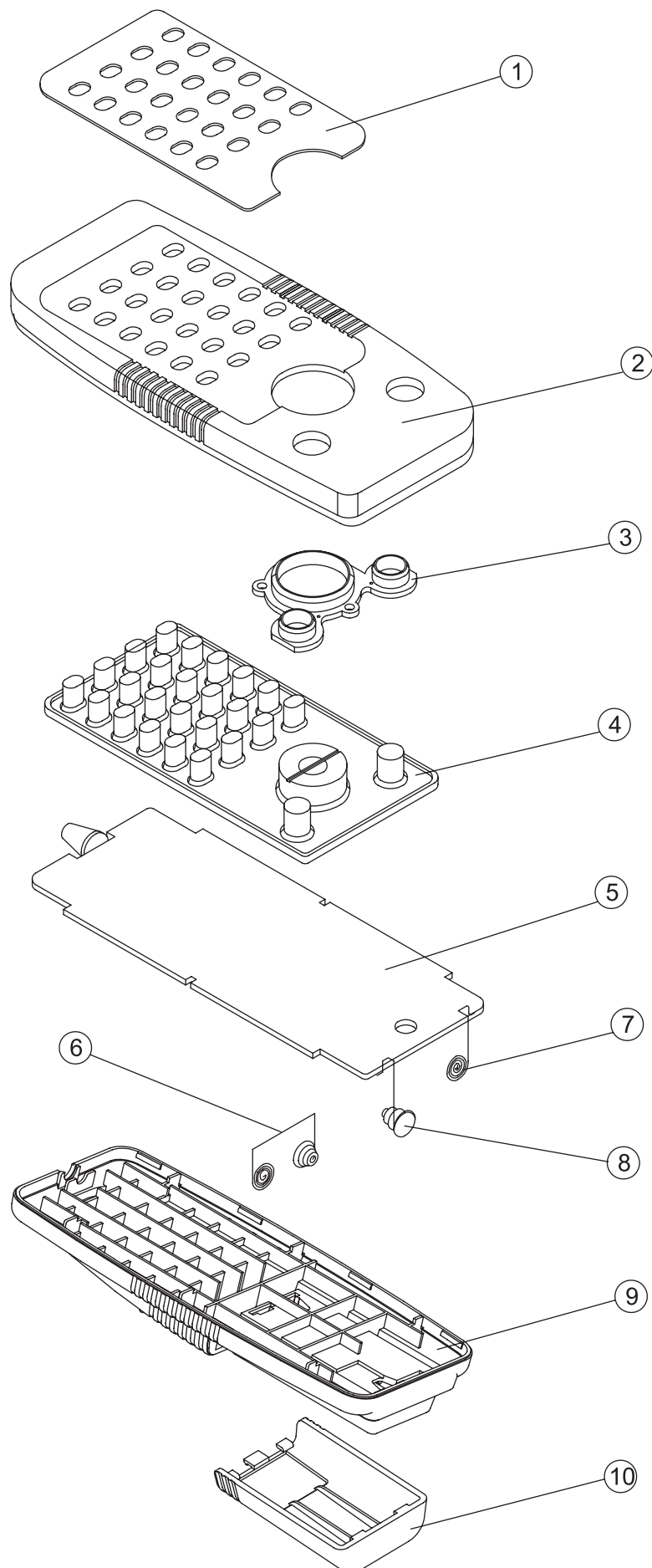


SL-D910

EXPLODED VIEW-5 PARTS LIST

REF.NO	TEAC PARTS NO.	PARTS NO.	DESCRIPTION	REMARKS
5-1		001-SD900000-R	FRONT PANEL (RED)	
		001-90MU0002-R	FRONT PANEL (WHITE)	
		001-SD900003-R	FRONT PANEL (BLACK)	
		001-D90S0000-R	FRONT PANEL (SILVER)	
		001-90MU0000-R	FRONT PANEL (MOSS GREEN)	
		001-D90MU001-R	FRONT PANEL (NAVY BLUE)	
5-2		051-SLD90002-R	LEFT SPEAKER NET HIMERON	
5-3		010-SD900100-R	LEFT SPEAKER GRILL	
5-4		051-SLD90003-R	RIGHT SPEAKER NET HIMERON	
5-5		010-SD900200-R	RIGHT SPEAKER GRILL	
5-6		004-SD900000-R	SNOOZE KNOB (RED)	
		004-90MU0002-R	SNOOZE KNOB (WHITE)	
		004-SD900003-R	SNOOZE KNOB (BLACK)	
		004-D90S0000-R	SNOOZE KNOB (SILVER)	
		004-90MU0000-R	SNOOZE KNOB (MOSS GREEN)	
		004-90MU0001-R	SNOOZE KNOB (NAVY BLUE)	
5-7		021-13008032-R	SCREW ϕ 3×8MM PT ZMC HD	
5-8		011-SD900000-R	PANEL BKT	
5-9			CD ASS'Y	
5-10		021-23014033-R	SCREW ϕ 3×14MM BT BLACK HD	
5-11			SPEAKER BOX ASS'Y	
5-12		022-23008033-R	SCREW ϕ 3×8MM BM BLACK HD	
5-13			BACK PANEL ASS'Y	

EXPLODE VIEW-6



SL-D910

EXPLODED VIEW-6 PARTS LIST

REF.NO	TEAC PARTS NO.	PARTS NO.	DESCRIPTION	REMARKS
6-1		015-D9100100-R	HANDSET PVC SHEET	
6-2		003-90MU0000-R	HANDSET TOP CAB (RED)	
		003-90MU0001-R	HANDSET TOP CAB (WHITE)	
		003-90MU0002-R	HANDSET TOP CAB (BLACK)	
		003-90MU0003-R	HANDSET TOP CAB (SILVER)	
		003-90MU0004-R	HANDSET TOP CAB (MOSS GREEN)	
		003-90MU0005-R	HANDSET TOP CAB (NAVY BLUE)	
6-3		010-SD900900-R	HANDSET KNOB RING	
6-4		037-D9100100-R	HANDSET RUBBER PAD	
6-5		100-90MU1090-R	REMOTE CONTROL PCB ASS'Y	
6-6		031-SD900110-R	BATTERY SPRING (+/-VE)	
6-7		031-SD900210-R	BATTERY SPRING (+VE)	
6-8		031-SD900310-R	BATTERY SPRING (-VE)	
6-9		003-SD900100-R	HANDSET BOTTOM CAB (RED)	
		003-90MU0102-R	HANDSET BOTTOM CAB (WHITE)	
		003-SD900103-R	HANDSET BOTTOM CAB (BLACK)	
		003-D90S0100-R	HANDSET BOTTOM CAB (SILVER)	
		003-90MU0100-R	HANDSET BOTTOM CAB (MOSS GREEN)	
		003-90MU0101-R	HANDSET BOTTOM CAB (NAVY BLUE)	
6-10		003-SD900200-R	HANDSET BATTERY DOOR (RED)	
		003-90MU0202-R	HANDSET BATTERY DOOR (WHITE)	
		003-SD900203-R	HANDSET BATTERY DOOR (BLACK)	
		003-D90S0200-R	HANDSET BATTERY DOOR (SILVER)	
		003-90MU0200-R	HANDSET BATTERY DOOR (MOSS GREEN)	
		003-90MU0201-R	HANDSET BATTERY DOOR (NAVY BLUE)	

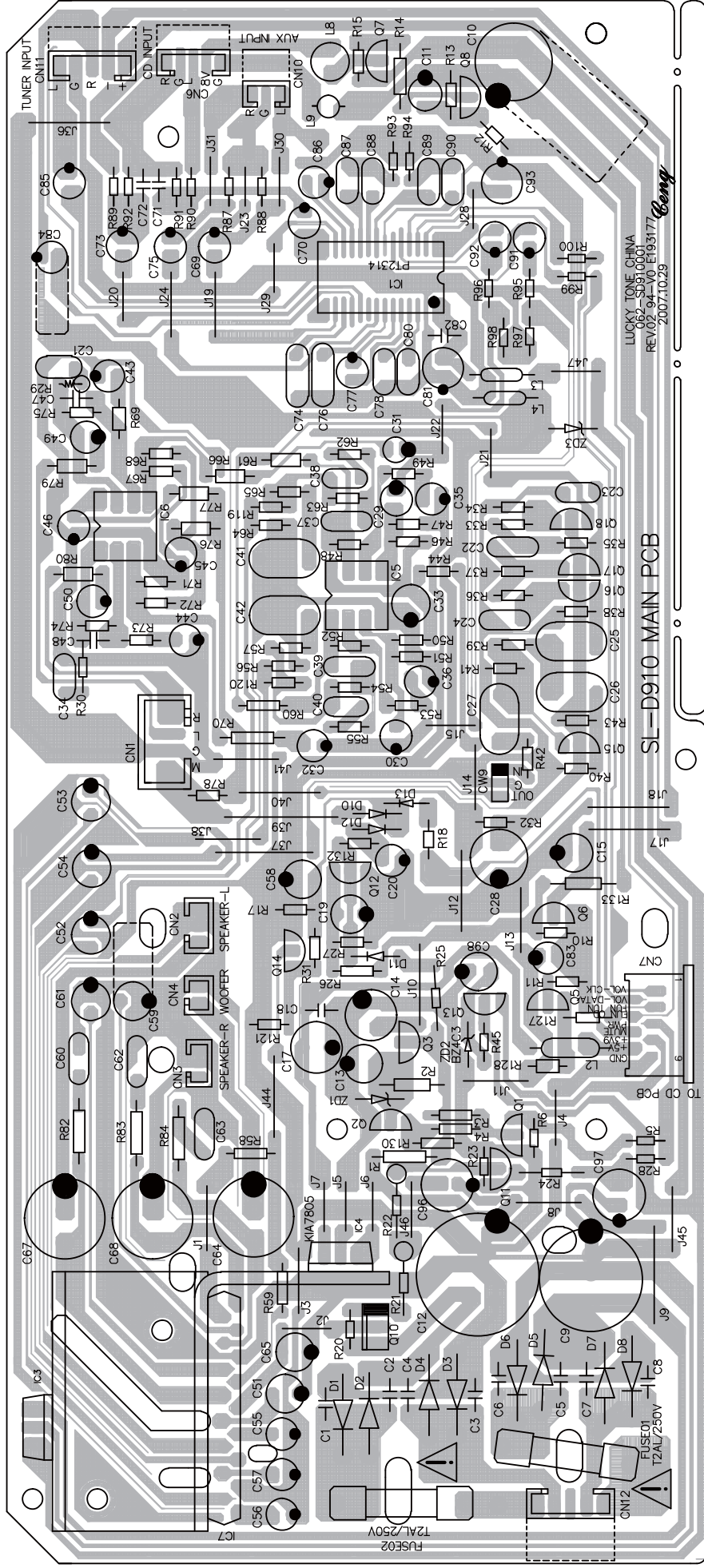
5 PC BOARDS AND PARTS LIST

MAIN PCB ASSY

REF.NO	TEAC PARTS NO.	PARTS NO.	DESCRIPTION	REMARKS
		100-D9101010-R	MAIN PCB ASS'Y	
		062-SD910001-R	MAIN PCB 94V-0 REV:01 241MM×108MM	
C9,C12		072-30470251-R	E/C CAP 4700UF/25V M (H≤30MM)	
C10		072-30100161-R	E/C CAP 1000UF/16V M (Φ 10×12MM)	
C64,67,68		072-30100251-R	E/C CAP 1000UF/25V M (H≤22MM)	
CN1		082-20400100-R	CONNECTOR 4PIN P=2.5MM	
CN2		082-10340100-R	CONNECTOR 3PIN P=2.5MM	
CN3		082-10300100-R	CONNECTOR 3PIN P=2.0MM	
CN4		082-10240100-R	CONNECTOR 2PIN P=2.5MM	
CN6		082-20500100-R	CONNECTOR 5PIN P=2.0MM	
CN7		082-20950100-R	FPC CONNECTOR 9PIN P=1.25MM	
CN10		082-20300100-R	CONNECTOR 3PIN P=2.0MM	
CN11,12		082-20540100-R	CONNECTOR 5PIN P=2.5MM	
D1,2,3,4		077-10539201-R	DIODE 1N5392 DC	
D5,6,7,8		077-10400201-R	DIODE 1N4002 DC	
D10,11,12,13		077-00414801-R	DIODE F4148	
FUSE01,02		090-22520022-R	FUSE T2AL 250V "UL/CSA/VDE"MARK	
IC1		075-00231429-R	IC:PT2314	
IC3		075-00780801-R	IC:AN7808	
IC4		075-00780501-R	IC:KIA7805API 618	
IC5,6		075-00455808-R	IC:BA4558 553 H15	
IC7		075-00821841-R	IC:TA8218AHQ 688KAI	
L2.L3.L4.		052-SRL50010-R	HORIZONTAL FERRITE CORE	
L8		078-05301952-R	FILTER COIL Φ 0.5MM× Φ 3.0MM×19.5T	
L9		052-SRL50020-R	UPRIGHT FERRITE CORE	
L11				
Q1,2,5,8,12,13, Q14,15,16,17,18		076-00C94500-R	TRANSISTOR:C945 QCG10	
Q3,11		076-C2001L00-R	TRANSISTOR:C2001 L63E	
Q6		076-00A73300-R	TRANSISTOR:A733 QCF45	
Q7		076-00B54400-R	TRANSISTOR:B544 F6C	
ZD1		077-3012A20H-R	ZENER DIODE 12V 0.5W	
ZD2		077-3004C30H-R	ZENER DIODE 4.3V 0.5W	
ZD3				

SL-D910

MAIN PCB

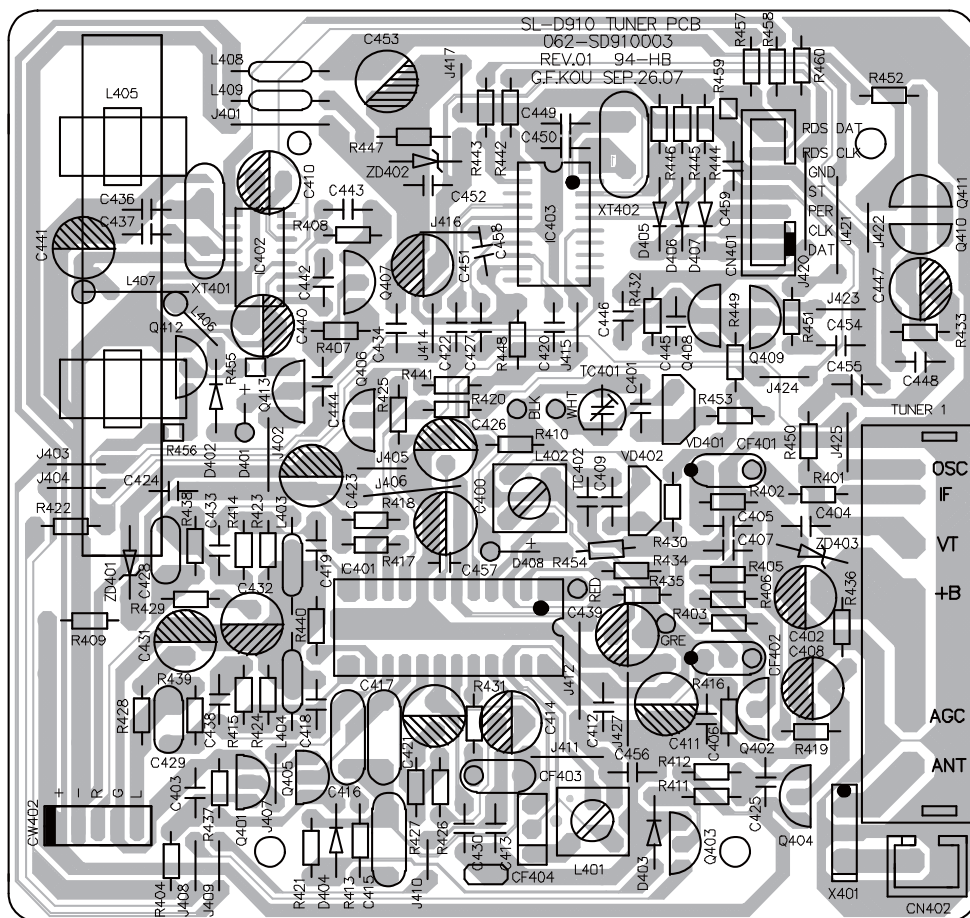


TUNER PCB ASSY

REF.NO	TEAC PARTS NO.	PARTS NO.	DESCRIPTION	REMARKS
		100-D9101040-R	TUNER PCB ASS'Y	
CN401		062-SD910003-R	TUNER PCB 94V-0 REV:00 100MM×94MM	
CN402		082-20700100-R	CONNECTOR 7PIN P=2.0MM	
D401,402,403, D404,405,406, D407,408		082-10240100-R	CONNECTOR 2PIN P=2.5MM	
IC401		077-00414801-R	DIODE F4148	
IC402		075-TA209901-R	IC:TA2099N	
		075-00257929-R	IC:PT2579-SN	
IC403		075-09257F21-R	IC TC9257F	
L401		079-D2800011-R	AM IFT COIL YELLOW (3A007C)	
L402		079-D2930210-R	AM OSC COIL 3M005 RED	
L405		096-SD910010-R	AM BAR ANT COIL 80T:25T	
L406,407		095-10100001-R	INDUCTOR 100UH 0.5W	
L408,409		095-00470001-R	INDUCTOR 47uH 0.5W	
Q402,407		076-09018H00-R	TRANSISTOR:9018H	
Q401,403,405 Q406,408,409, Q410,411,412		076-00C94500-R	TRANSISTOR:C945 QCG10	
Q404,413		076-00A73300-R	TRANSISTOR:A733 QCF45	
CF401,402		081-31070201-R	FM CERAMIC FILTER, L10.7MA5-A 3PIN	
CF403		093-11070005-R	CERAMIC FILTER CDA10.7MG82 2PIN	
CF404		081-04500000-R	AM CERAMIC FILTER, SFU450B 3PIN	
TC401		073-00010022-R	TC.10PF	
XT401		093-04332002-R	XTAL 4.332MHZ	
XT402		093-07200002-R	XTAL 7.2MHZ	
X401		054-0GP18000-R	FM ANT FILTER GFMB3 <76-108MHZ>	
VD401,402 CW402		077-50014901-R	1SV149 (TOSHIBA)	
ZD401		077-3005C20H-R	ZENER DIODE 5.1V 0.5W	
ZD402		077-3005B20H-R	ZENER DIODE 4.7V 0.5W	
ZD403		077-3009A20H-R	ZENER DIODE 7.9-8.3V 0.5W	

SL-D910

TUNER PCB



CD PCB ASSY

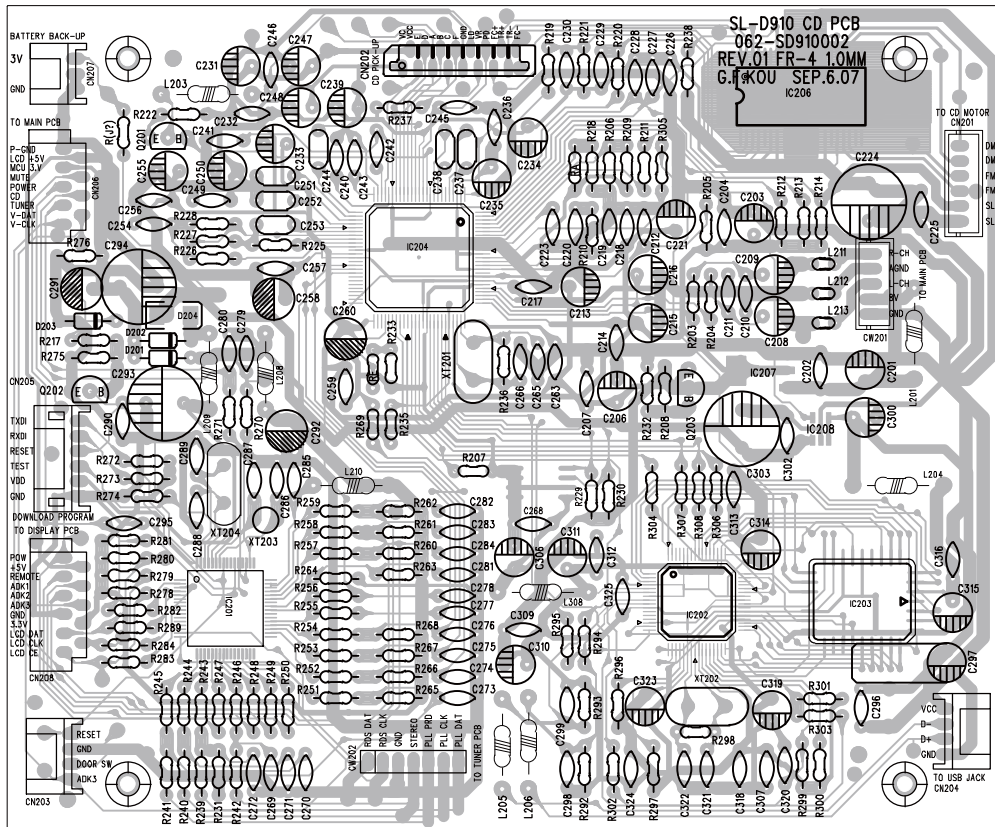
REF.NO	TEAC PARTS NO.	PARTS NO.	DESCRIPTION	REMARKS
		100-D9101030-R	CD PCB ASS'Y	
		062-SD910002-R	CD PCB FR-4 PLY=1.0MM REV:00 132MM×112MM	
CN201		082-20600100-R	CONNECTOR 6PIN P=2.0MM	
CN202		082-21600305-R	FPC CONNECTOR 16PIN P=1.0MM	
CN203,204		082-20400100-R	CONNECTOR 4PIN P=2.0MM	
CN205		082-20600200-R	CONNECTOR 6PIN P=2.0MM (BROWN)	
CN206		082-20950100-R	FPC CONNECTOR 9PIN P=1.25MM	
CN207		082-20300100-R	CONNECTOR 3PIN P=2.0MM	
CN208		082-21150100-R	FPC CONNECTOR 11PIN P=1.25MM	
D201,202,203		077-00414801-R	DIODE F4148	
L201,204		052-SRL50010-R	HORIZONTAL FERRITE CORE	
L205,206		052-08356001-R	HORIZONTAL FERRITE CORE: $\phi 0.8 \times \phi 3.5 \times 6\text{MM}$	
L208,209,210		095-10100001-R	INDUCTOR 100UH 0.5W	
L308		052-SRL50010-R	HORIZONTAL FERRITE CORE	
IC201		075-86FS4931-R	IC:TMP86FS49AUG	
IC202		075-00688839-R	IC:OTI 6888-G	
IC203		075-27B51239-R	IC:AT27BV512	
IC204		075-94A77F31-R	IC:TC94A77FG-203	
IC206		075-S3001192-R	IC:AUK S30011	
Q201,202,203		076-00A73300-R	TRANSISTOR:A733 QCF45	
XT202		093-07372802-R	XTAL 7.3728MHZ	
XT204		093-11431802-R	XTAL 14.318MHZ	

CONTROL PCB ASSY

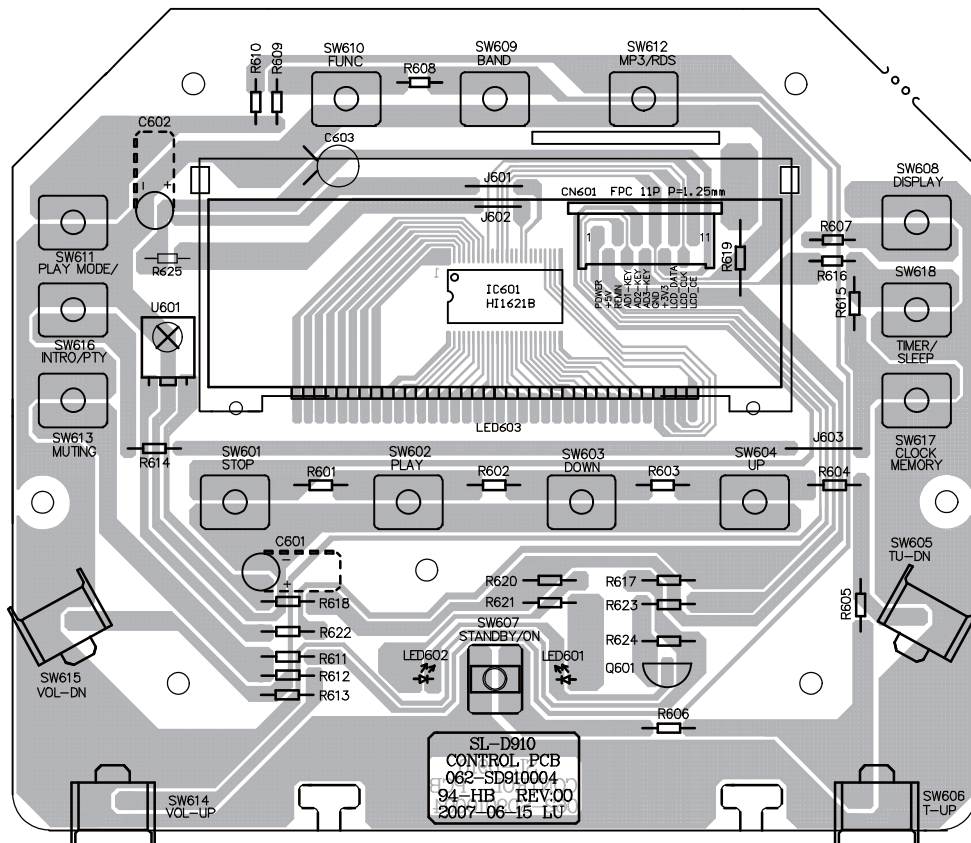
REF.NO	TEAC PARTS NO.	PARTS NO.	DESCRIPTION	REMARKS
		100-D9101020-R	CONTROL PCB ASS'Y	
		062-SD910004-R	FRONT CONTROL PCB 94-HB REV:00 128MM×112MM	
CN601		082-21150100-R	FPC CONNECTOR 11PIN P=1.25MM	
IC601		075-HT162139-R	IC:HT1621B(SSOP-A)	
LCD1		080-SD910021-R	LCD DISPLAY SIZE: 76×24MM	
LED601,602		094-03020301-R	LED: $\phi 3\text{MM}$	
Q601		076-00C94500-R	TRANSISTOR:C945 QCG10	
U601		083-00LT1000-R	RECIVE SENSOR <PIC-2031 SMB/F22>	
SW601,602,603, SW604,608,609, SW610,611,612, SW613,616,617, SW618		063-0GP28020-R	TACT SW. H=5.0MM	
SW605,606, SW614,615		063-D2800020-R	TACT SW. SKHHALM	
SW607		063-SRL35090-R	TACT SW. H=5.5MM	

SL-D910

CD PCB



CONTROL PCB



BASS PCB ASSY

REF.NO	TEAC PARTS NO.	PARTS NO.	DESCRIPTION	REMARKS
CN9		100-90MU1050-R	BASS VR PCB ASS'Y	
VR1		062-SD910005-R	BASS PCB 94-HB REV:00	
		082-10300100-R	CONNECTOR 3PIN P=2.0MM	
		069-SD901000-R	VR:50KB+C <RA0901N0XOA-VA1-B503-T1-FA125B070>	

SNOOZE PCB ASSY

REF.NO	TEAC PARTS NO.	PARTS NO.	DESCRIPTION	REMARKS
SW019,021		100-90MU1080-R	SNOOZE PCB ASS'Y	
SW020		062-SLD90004-R	SNOOZE PCB	
		063-SLD90000-R	TACT SW. H=4.3MM	
		063-SLD90001-R	TACT SW. H=5.0MM	

PHONE JACK PCB ASSY

REF.NO	TEAC PARTS NO.	PARTS NO.	DESCRIPTION	REMARKS
JK01		100-90MU1070-R	HEAD PHONE JACK PCB ASS'Y	
L504,505,506		062-90MP3008-R	HEAD PHONE JACK PCB 94-HB REV:00	
		064-35020101-R	HEAD PHONE JACK ϕ 3.5MM	
		052-D9000020-R	HORIZONTAL FERRITE CORE	

CD SW PCB ASSY

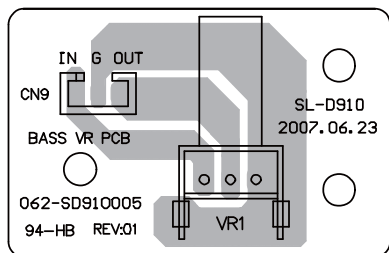
REF.NO	TEAC PARTS NO.	PARTS NO.	DESCRIPTION	REMARKS
SW022		100-90MU1060-R	CD SWITCH PCB ASS'Y	
SW023		062-SLD90004-R	CD SWITCH PCB	
		063-SLD80400-R	CD DOOR ON/OFF SW.	
		063-SLD80800-R	TACT SWITCH H=7.5MM	

AUX JACK PCB ASSY

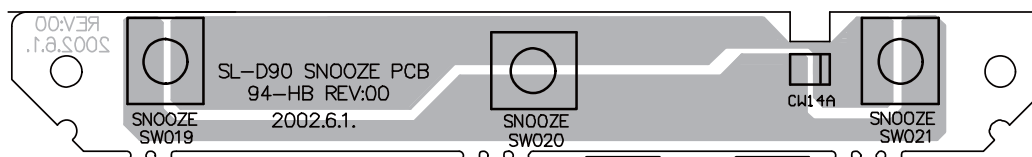
REF.NO	TEAC PARTS NO.	PARTS NO.	DESCRIPTION	REMARKS
L501,L502,L503		100-90MU1100-R	AUX JACK PCB ASS'Y	
JK1		062-90MP3006-R	AUX JACK PCB 94-HB REV:00	
		052-D9000010-R	HORIZONTAL FERRITE CORE	
		064-35020002-R	AUX JACK ϕ 3.5MM	

SL-D910

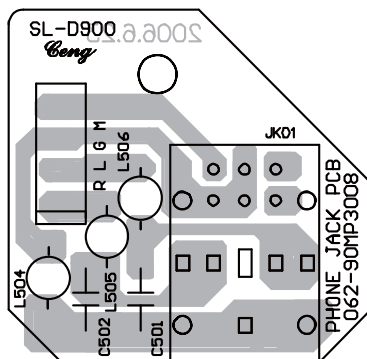
BASS VR PCB



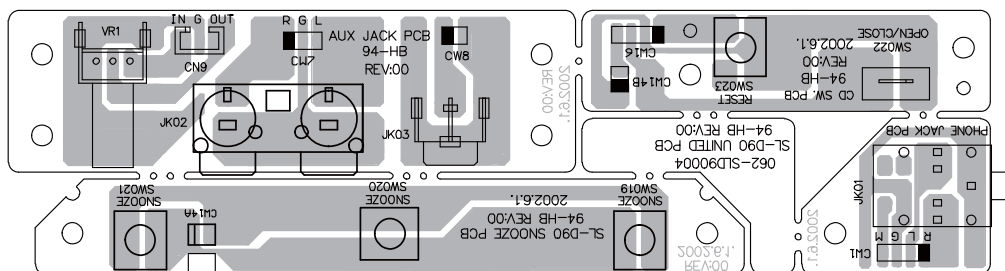
SNOOZE PCB



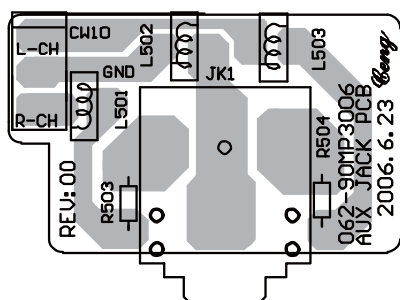
PHONE JACK PCB



CD SWITCH PCB



AUX JACK PCB



USB JACK PCB ASSY

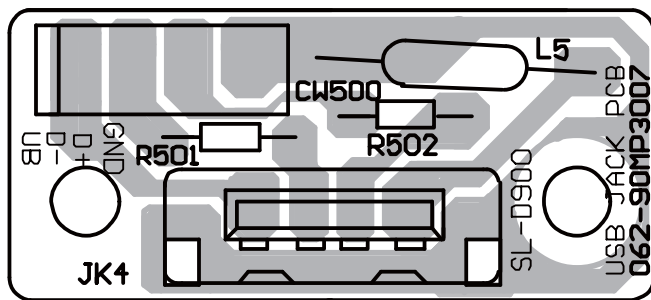
REF.NO	TEAC PARTS NO.	PARTS NO.	DESCRIPTION	REMARKS
		100-90MU1110-R	USB JACK PCB ASS'Y	
		062-90MP3007-R	USB JACK PCB 94-HB REV:00	
L5		052-SRL50010-R	HORIZONTAL FERRITE CORE	
JK4		055-90MP3000-R	USB JACK USB A DIP180	

REMOTE CONTROL PCB ASSY

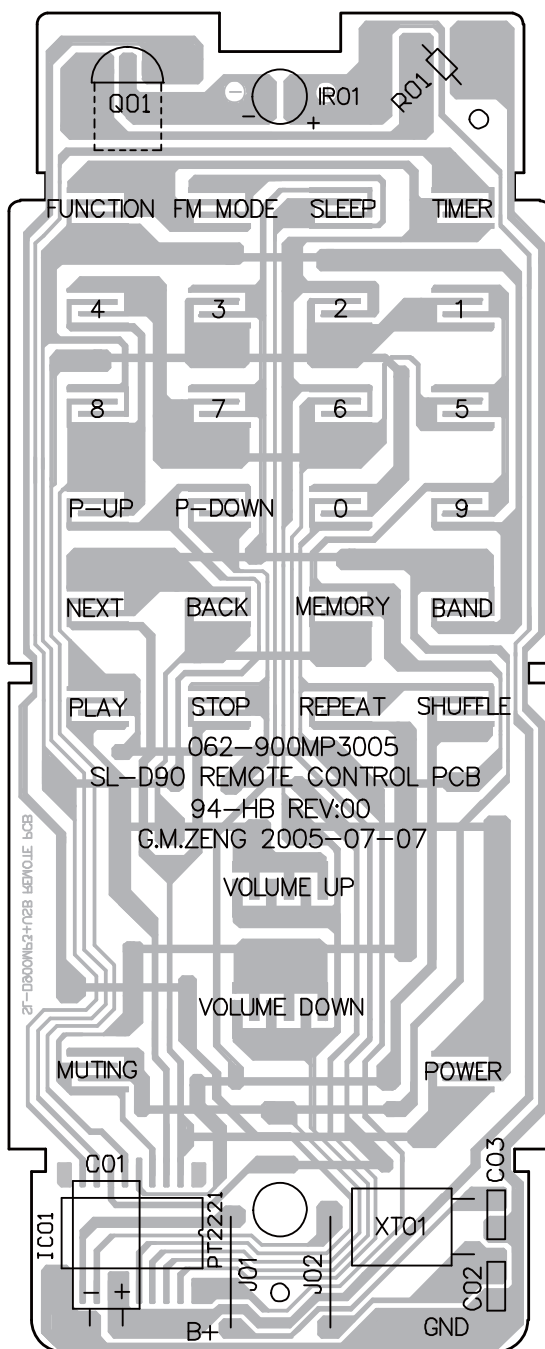
REF.NO	TEAC PARTS NO.	PARTS NO.	DESCRIPTION	REMARKS
		100-90MU1090-R	REMOTE CONTROL PCB ASS'Y	
		062-90MP3005-R	REMOTE CONTROL PCB 94-HB	
IR01		077-20033301-R	INFRARED LED IR333 <EVERLIGHT> /L514IRBT	
IC01		075-00222120-R	IC:PT2221-001 ISD10C KBAN4	
Q01		076-00C94500-R	TRANSISTOR:C945 QCG10	
XT01		093-A4550001-R	RESONATOR CSB455E 2PIN	

SL-D910

USB JACK PCB

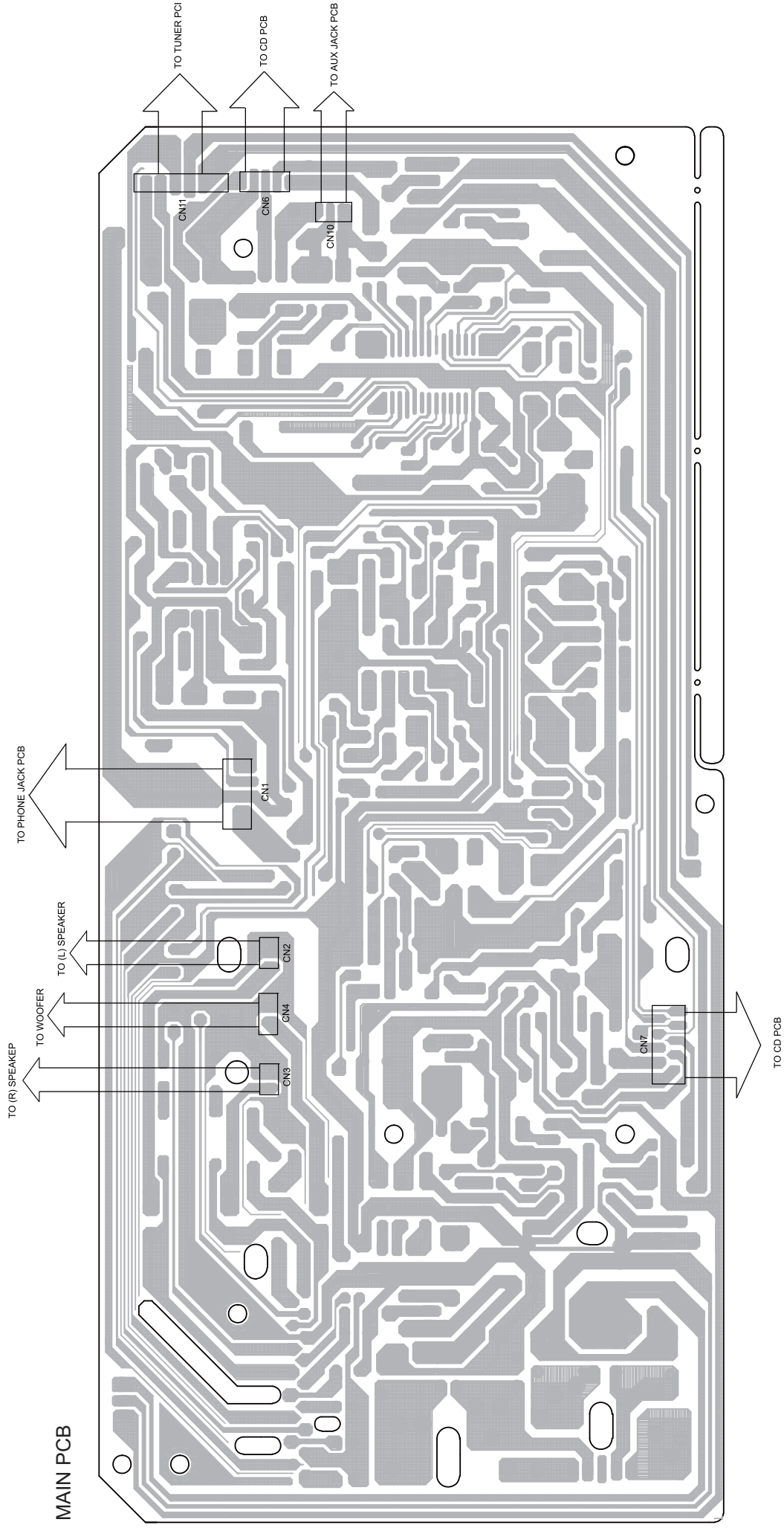


REMOTE CONTROL PCB

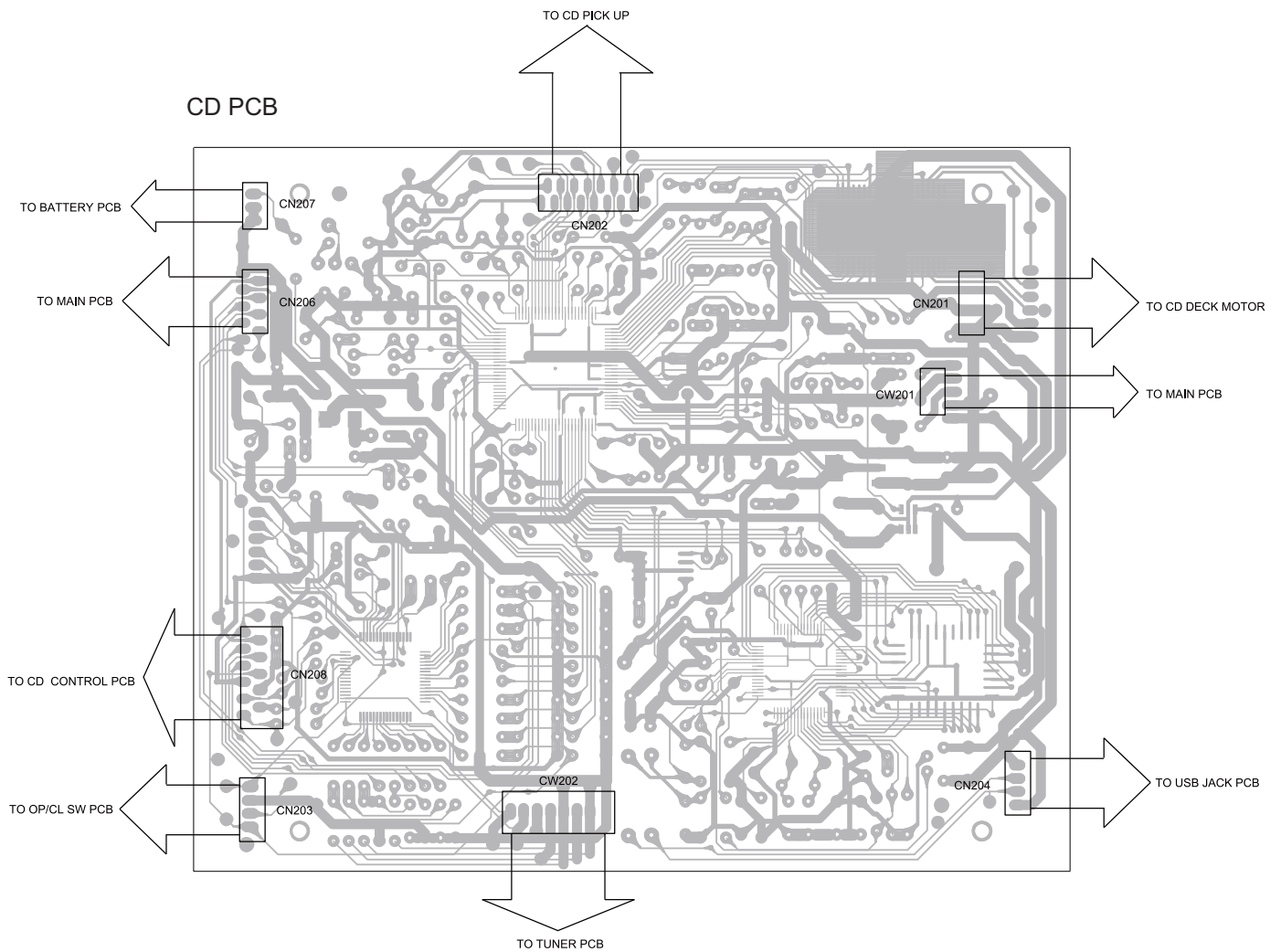


SL-D910

6. WIRING DIAGRAM



SL-D910



7 INCLUDED ACCESSORIES

INCLUDED ACCESSORIES

REF.NO	TEAC PARTS NO.	PARTS NO.	DESCRIPTION	REMARKS
		046-SD910010-R	INSTRUCTION BOOK-E/F/G/N	
		046-SD910020-R	INSTRUCTION BOOK-I /S	
			REMOTO CONTROL(WHITE)	
			REMOTO CONTROL(BLACK)	
			REMOTO CONTROL(RED)	
			REMOTO CONTROL(SILVER)	
			REMOTO CONTROL(M-GREEN)	
			REMOTO CONTROL(N-BLUE)	
			WARRANTY CARD	

SL-D910

TEAC

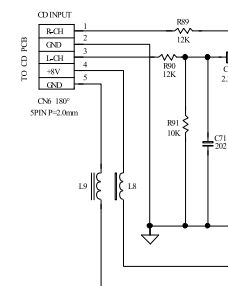
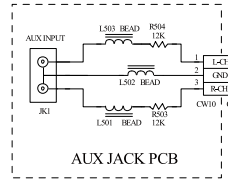
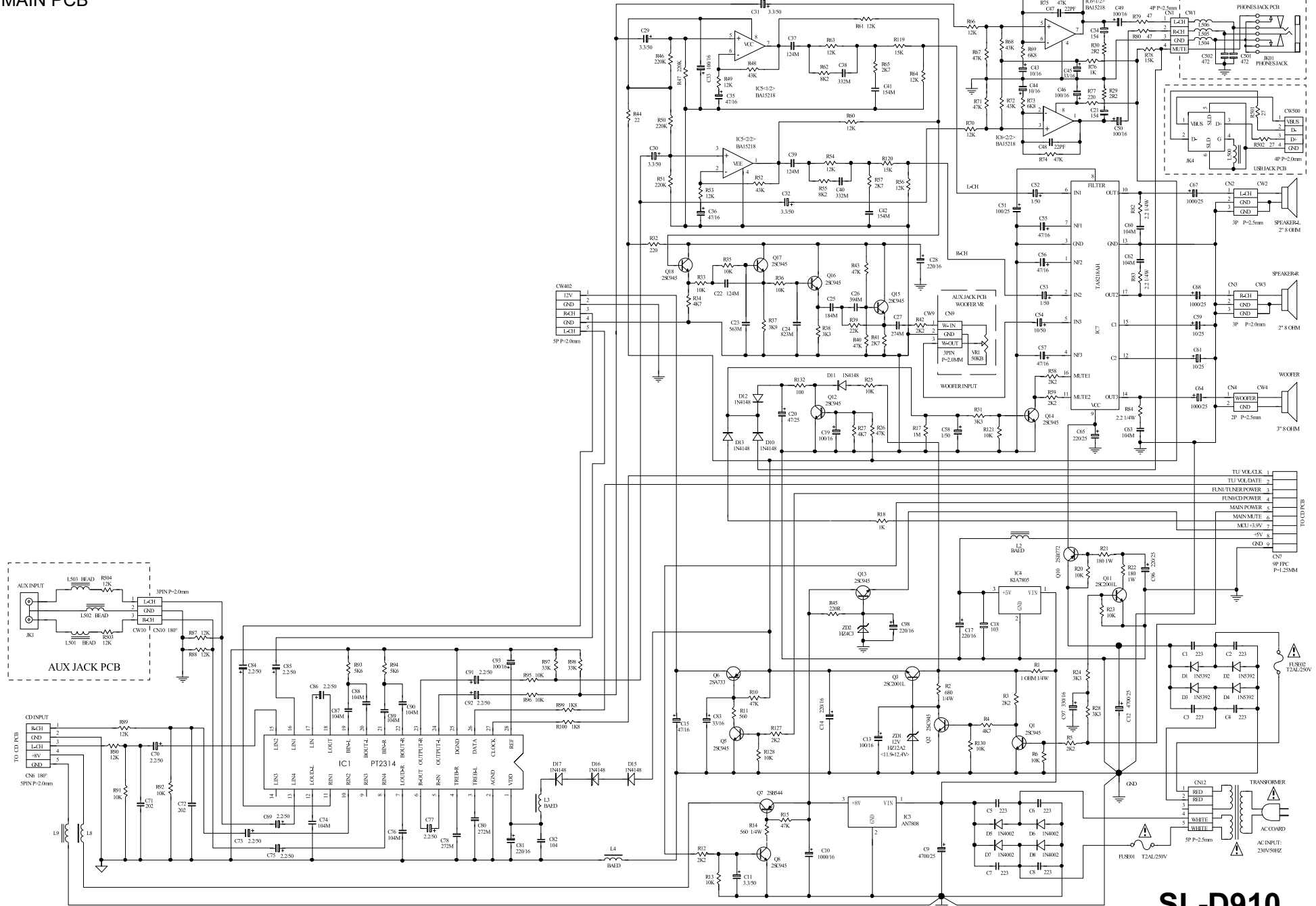
DTE-SM0712001

TEAC CORPORATION	3-7-3 Nakacho, Musashino-shi, Tokyo 180-8550, Japan Phone:(0422)52-5081
TEAC AMERICA, INC.	7733 Telegraph Road, Montebello, California 90640 Phone: (323)726-0303
TEAC CANADA LTD.	5939 Wallace Street, Mississauga, Ontario L4Z 1Z8, Canada Phone: (905)-890-8008
TEAC MEXICO, S.A.De C.V.	Campeños N°184, Colonia.Granjas Esmeralda, Delegacion Iztapalapa,CP 09810,Mexico DF Phone: (525)-581-5500
TEAC UK LIMITED	Unit 19 & 20, The Courtyards, Hatters Lane, Watford, Hertfordshire, WD18 8TE5, U.K. Phone:(0845) 130-2511
TEAC EUROPE GmbH	Bahnstrasse 12, 65205 Wiesbaden-Erbenheim, Germany Phone: 0611-71580
TEAC ITALIANA S.p.A.	Via C, Cantu 9/A, 20092 Cinisello Balsamo, Milano, Italy Phone:02-66010550
TEAC AUSTRALIA PTY., LTD.	280 William Street, Melbourne VIC 3000, Australia Phone:(03)9672-2400
A.B.N. 80 005 408 462	

DEC 2007

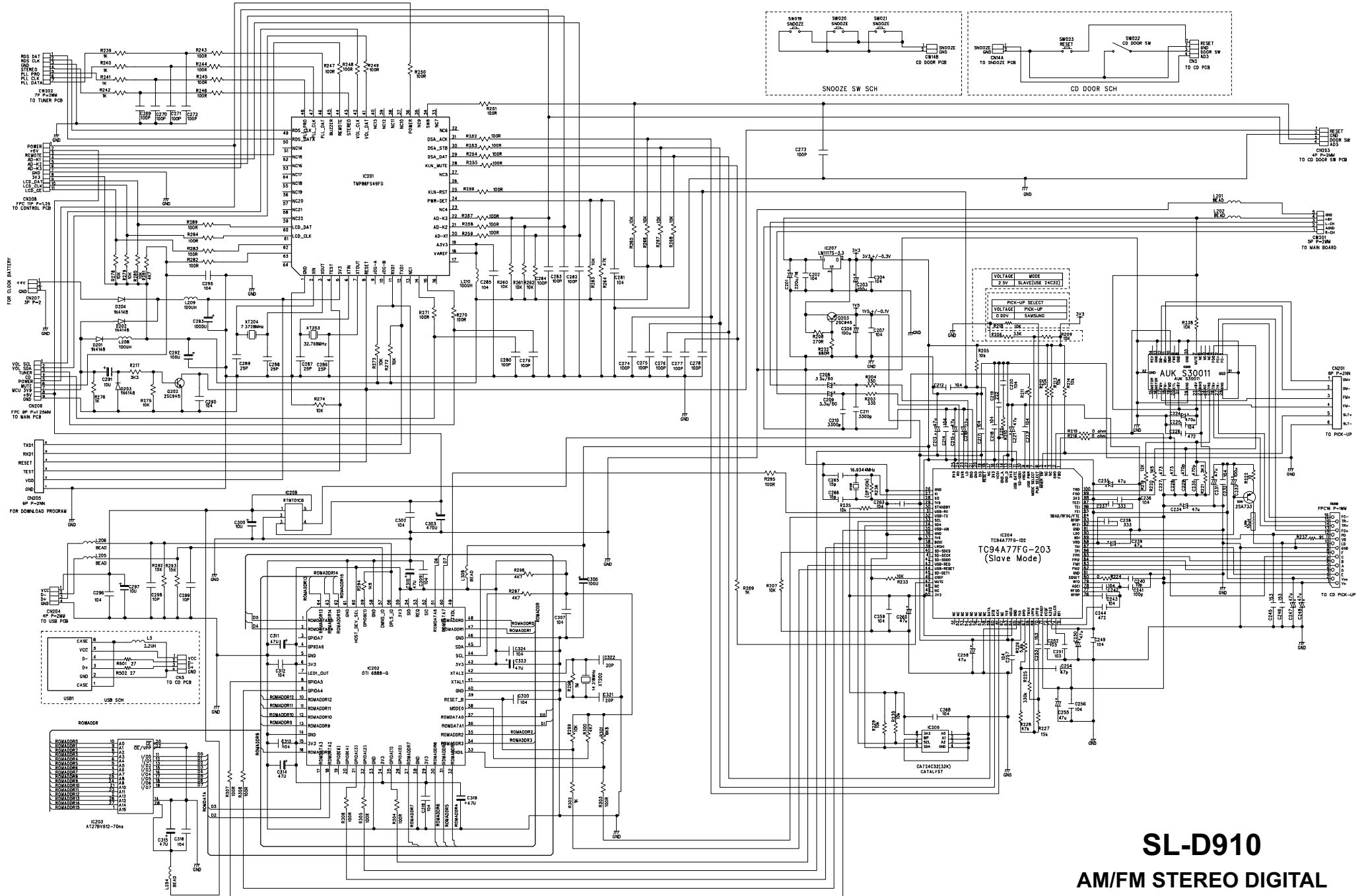
PREPARED IN CHINA

MAIN PCB



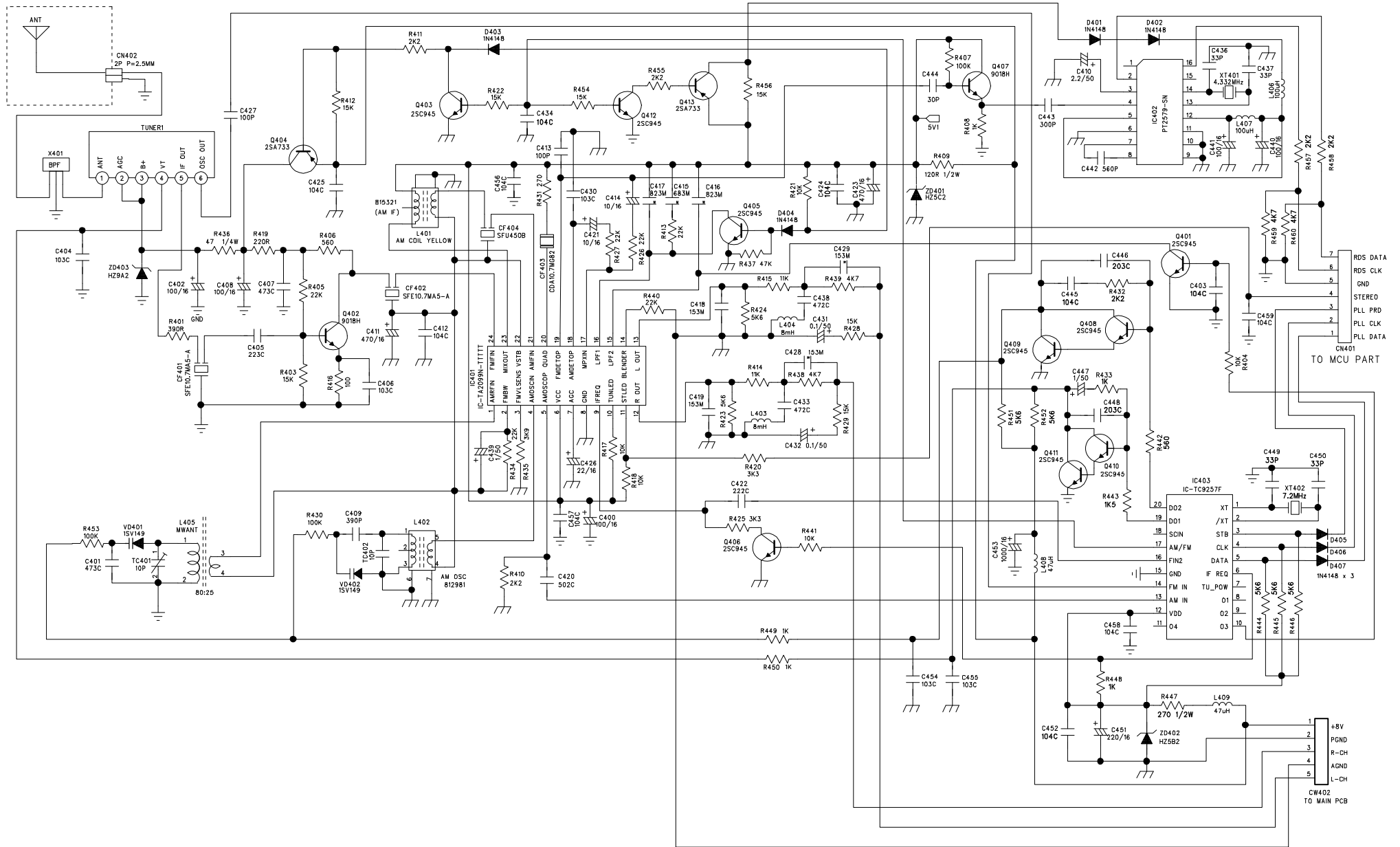
SL-D910 AM/FM STEREO DIGITAL RADIO WITH CD PLAYER

CD PCB



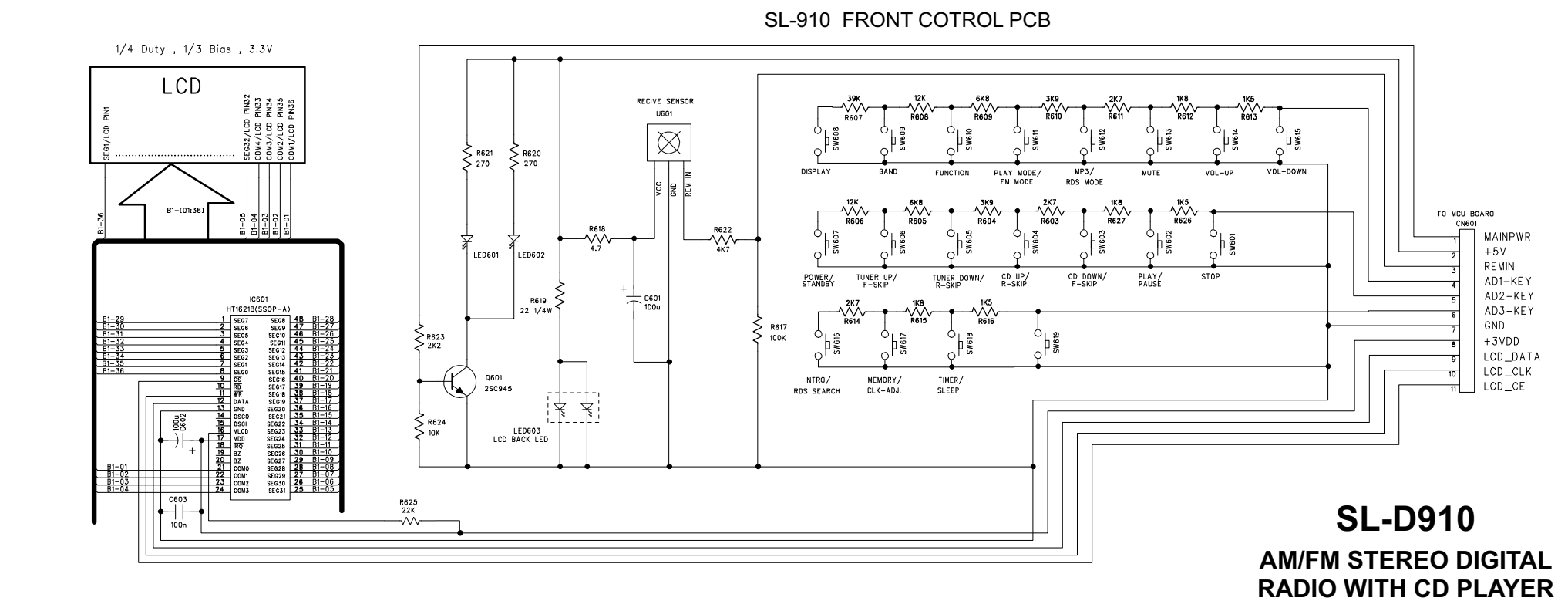
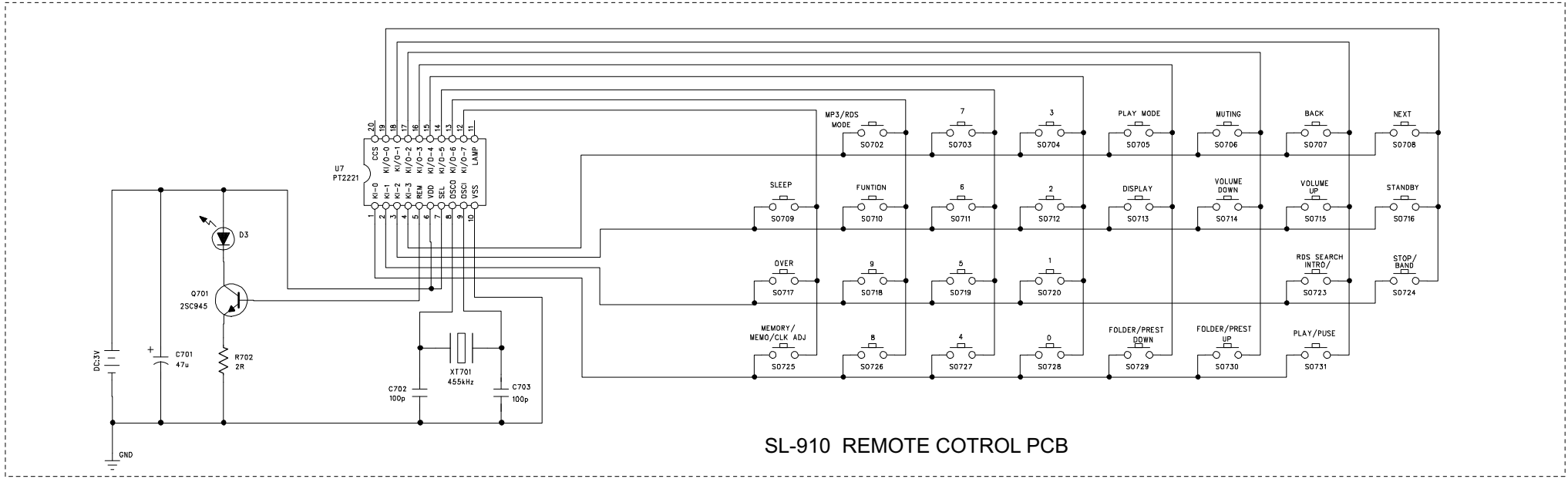
SL-D910
AM/FM STEREO DIGITAL
RADIO WITH CD PLAYER

TUNER PCB



SL-D910

AM/FM STEREO DIGITAL
RADIO WITH CD PLAYER



SL-D910
AM/FM STEREO DIGITAL
RADIO WITH CD PLAYER